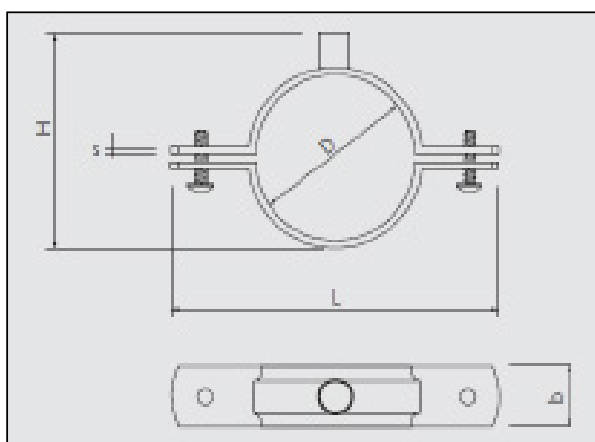




BENEFITS

- Zinc galvanized clamp.
- Metric screw, minimum 4 microns zinc plated with hexagonal head and combi recess (POZI + slot)
- M8 nut.
- Lightweight clamp for PVC tubes or lightweight steel.
- Safety nut and screw.
- Reinforcing rib.
- Internal design avoid that the thread rod exceed the nut.

MAIN DIMENSIONS [mm]



Reference	ød	Thickness sxb [mm]	H aprox [mm]	L [mm]
D 50	50	0.8x28	67	106
D 60	60	0.8x28	77	116
D 75	75	0.8x28	92	131
D 80	80	0.8x28	97	136
D 90	90	0.8x28	107	146
D 100	100	0.8x28	117	156
D 110	110	0.8x28	127	166
D 125	125	0.8x28	142	181
D 150	150	0.8x28	167	206
D 160	160	1.0x28	177	216
D 200	200	1.0x28	217	256
D 250	250	1.0x28	267	

INSTALLATION PROCEDURE

Installation in 4 steps:

1. Fix the clamp to the wall.
2. Open the clamp.
3. Insert the pipe.
4. Close the clamp.

APPLICATIONS

For subsection of draining pipes, ventilation, ...



RECOMMENDED LOADS

Reference	Loads under ceiling [kg]	Wall loads [kg]
D 50 - D 250	110	20